

## FIST-GCOG2

### FIST Gel Sealed Generic Closure Organizer

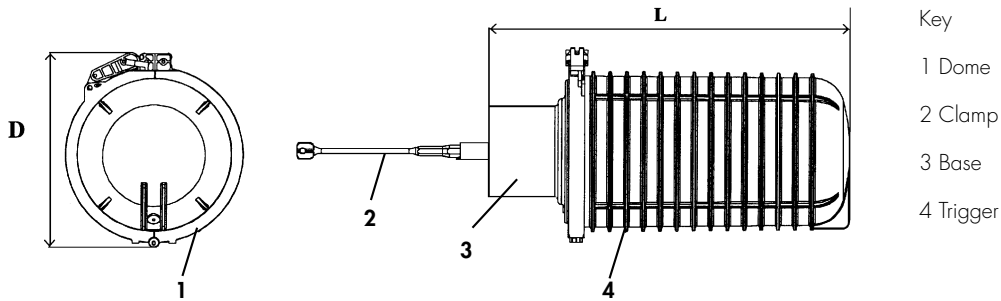
---

The generic gel closure FIST-GCOG2 is the environmentally sealed, fully mechanical enclosure for the fiber management system that provides the functions of splicing and passive component integration in the external network.

#### Features

- Single-ended design
- Base and dome are sealed with a clamp and O-ring system
- 6 round cable ports are provided in a wrap-around block with pre-installed gel profile for cable sealing. This block can be opened and closed repeatedly without the need to remove or replace the gel
- The UMS (Universal Mounting System) profiles provide the foundation for mounting combinations of SOSA2 (Splice Only Sub-Assembly) and/or SASA2 (Splitter Array Sub-Assembly) modules, which consists of a modular grooveplate and trays
- Compatible with most common cable types: e.g. loose tube, central core, slotted core
- Uncut fibers can be stored as single circuits in trays and/or as cable elements in the storage space between the profiles. Storage baskets are available for mass storage of fibers of central core cable constructions
- The closure can be used as well in aerial, pedestal and underground (up to 5 meters) environment

## Dimensions and Capacity



- Key
- 1 Dome
  - 2 Clamp
  - 3 Base
  - 4 Trigger

		GCOG2-DC6	GCOG2-DD6	GCOG2-DE6
Dimensions	L (excl. trigger)	568	645	753
	D	247	247	247
	D with clamp	291	291	291

	Fibers	Trays	Fibers	Trays	Fibers	Trays
Single Circuit Splicing Capacity	80	40	144	72	208	104
Single Element Splicing Capacity	240	20	432	36	624	52
R4/R8 Splicing Capacity	160	20	288	36	416	52
R12 Splicing Capacity	144	12	288	24	384	32

## Ordering Information

FIST - GCOG2 - X X X - X X

### Closure Type

DC6	568 mm long with 20 units UMS
DD6	645 mm long with 36 units UMS
DE6	753 mm long with 52 units UMS

### Flash Test Point

V	Pre-mounted flash test point in dome
N	No flash test valve

### Ground Feed-Through

G	Pre-mounted ground feed-through
N	No ground feed-through

For more technical options and order quantity information, please consult the products ordering guides or your local sales representative.

# COMMSCOPE®

[www.commscope.com](http://www.commscope.com)

Visit our website or contact your local CommScope representative for more information.

© 2015 CommScope, Inc. All rights reserved.

FIST and all trademarks identified by ® or ™ are registered trademarks or trademarks, respectively, of CommScope, Inc.

This document is for planning purposes only and is not intended to modify or supplement any specifications or warranties relating to CommScope products or services.

PS-322435-AE (01/16)